

# **PHOENIX**

---

## **METAL PRODUCTS, INC.**



The Phoenix CMPPS96/150 is a chassis mounted, passenger, parallelgram stair. It is designed for the rugged nature of airport ramp operation. The chassis is a heavy duty formed chassis. The stair is a parallelgram design and is made of structural aluminum..

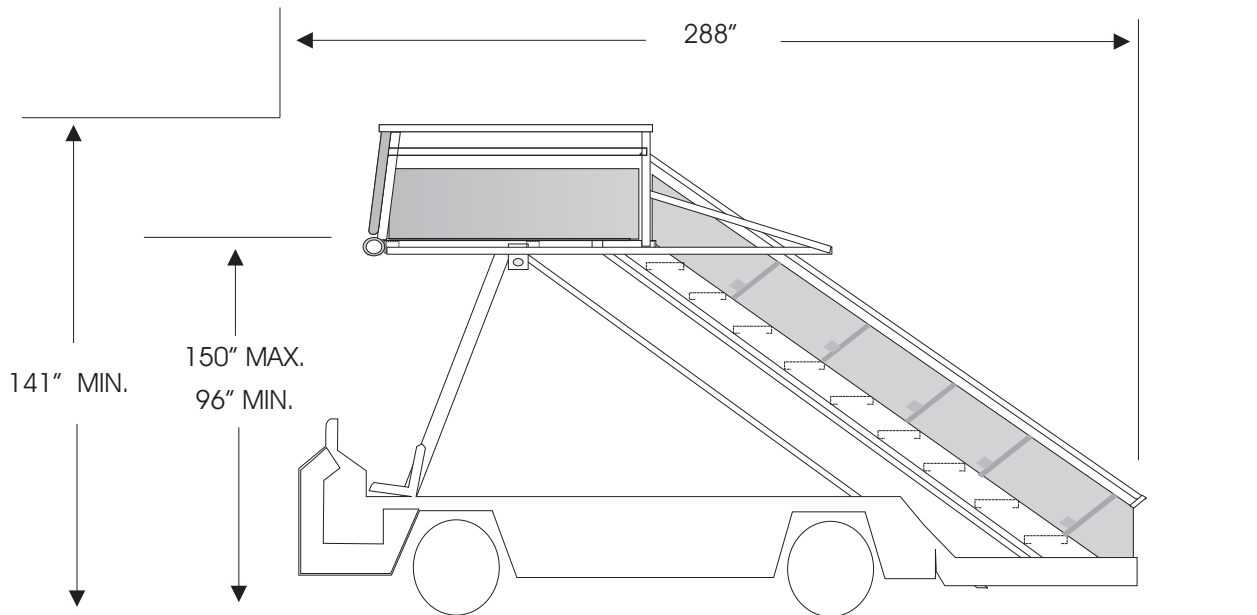
The drive line consists of a heavy duty front and rear axles and can be outfitted with different engines..

The stair is stabilized at all four corners and has adjustable sliding wings at the platform. The stair will service aircraft with doorsill between 96" and 150".

The stair has lighting for night service. The stair is supported by two lifting cylinders with hydraulic locking valves. The unit comes standard with: electrical emergency pump, instrument gauges and non-skid decking.

# PHOENIX CMPPS 96/150

# MOBILE PASSENGER STAIR



## SPECIFICATIONS

### CHASSIS:

HEAVY DUTY SHEET METAL WITH 3/8 STEEL  
PLATE FRONT AND REAR

### SUSPENSION:

SOLID MOUNT FRONT AND REAR

### STEERING:

HYDROSTATIC- ORBITROL/ CYLINDER

### AXLES:

DRIVE AXLE - DANA 60 LIMITED SLIP - 7.17:1 RATIO  
STEER AXLE - DANA 60

### BRAKES:

DUAL SPLIT SYSTEM - HYDRAULIC ASSIST  
FRONT DISC - REAR DRUM

### ELECTRICAL SYSTEM:

12 VOLT - NEGATIVE GROUND  
60 AMP ALTERNATOR

### HYDRAULIC SYSTEM:

ENGINE DRIVEN - POSITIVE DISPLACEMENT  
EMERGENCY PUMP

### TRANSMISSION:

FORD INDUSTRIAL C6  
DIESEL - 3 SPEED  
GAS - 2 SPEED

### ENGINE:

DEUTZ DIESEL - F4M2011 3.1L 4 CYL OIL COOLED  
GMC GAS - VORTEC 3000 3.4L 4 CYL.

### FEATURES:

4 CORNER STABILIZERS  
STAINLESS STEEL HYDRAULIC AND FUEL TANK  
MANUAL LIFT AND STABILIZER CONTROLS:  
ENGINE COOLANT AND LOW OIL PRESSURE SAFETY  
HANDBRAKE/ NEUTRAL SAFETY  
RUB RAILS  
ROUNDED CHASSIS CORNERS  
INSTRUMENT GAUGES  
FUEL LEVEL GAUGE IN CAB  
ELECTRICAL SYSTEM - COMPONENTS IN ONE  
LOCATION  
ROTO CAST SEAT - ADJUSTABLE WITH BACK SUPPORT  
REPLACEABLE CHASSIS SIDE PANELS  
TURN SIGNALS

### PERFORMANCE:

STAIR TREAD WIDTH 48"  
PLATFORM WIDTH 48" X 60" DEEP  
STAIR HEIGHT 96" TO 150"  
MAX SPEED 20 MPH

### SHIPPING DIMENSIONS:

LENGTH 268.00"  
WIDTH 88.00"  
HEIGHT 116.00"  
WEIGHT 7200 LBS